

An eco-friendly and  
secure investment!



# CTC EcoAir 600M

Inverter controlled air-to-water heat pumps.

2,5-22 kW, models 610M, 614M and 622M

- World class performance
- Available in three sizes
- Inverter controlled
- Eco-friendly and renewable
- Plenty of hot water and maximum comfort



Find a CTC distributor in your country - [www.ctc-heating.com](http://www.ctc-heating.com)



MADE IN SWEDEN

CTC EcoAir 600M is a series of inverter controlled air-to-water heat pumps that adapt to the building's power requirements during the year. At high power demand the output increases and at lower power demand the compressor speed is reduced and the output decreases. Thanks to this you will always achieve maximum savings (up to 75%).

### World class performance

The design of the CTC EcoAir 600M series builds further on the proven CTC EcoAir series, which is one of Sweden's best-selling air-to-water heat pumps. The result is a product with very high efficiency and very low noise levels.

\*\* CTC EcoAir 600M is so efficient that it provides five times as much energy as it consumes. The series has a stylish design and blends into most environments. It also has on-demand automatic defrosting, which reduces the amount of defrosting needed. This provides more heat, more power and a longer life span.

### Available in three sizes

CTC EcoAir 610M 2,5-10 kW  
 CTC EcoAir 614M 2,5-14 kW  
 CTC EcoAir 622M 4,5-22 kW

### Inverter controlled compressor

CTC EcoAir 600M is equipped with an inverter controlled compressor that adapts to your needs. This also contributes to being easy to find the right fit and, regardless of the size of the property, there is always a suitable model.

### Eco-friendly and renewable

CTC EcoAir 600M has been optimised to make the best possible use of the eco-friendly energy in the air. It is easy to install since it requires neither boreholes nor loops in the ground.

### Plenty of hot water and maximum comfort

CTC EcoAir 600M fits perfectly with the CTC EcoZenith i360 indoor module. It is equipped with a highly efficient water heating system, which produces over 300

litres of hot water. With a unique colour touchscreen and an advanced and reliable control system, the indoor climate is automatically adjusted for maximum comfort.

### EnergyFlex

With the help of various accessories, you can easily add solar heating, a water-jacketed stove or your existing boiler. EnergyFlex comes as standard and gives you many options for the future in terms of smart and eco-friendly heating. Why not connect a pool and also enjoy the warmth in the summer?

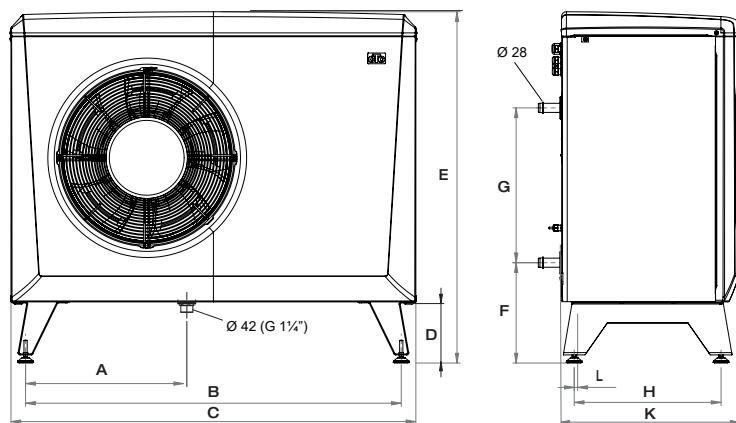
| Technical data 3x400 V  |                   | 610M                             | 614M                              | 622M                                 |
|---|-------------------|----------------------------------|-----------------------------------|--------------------------------------|
| CTC no.   |                   | 588402001                        | 588400001                         | 588401001                            |
| Weight (packaged weight)  | kg                | 174 (204)                        | 174 (204)                         | 192 (226)                            |
| Dimensions (depth x width x height)                               | mm                | 545 x 1245 x 1080                |                                   | 645 x 1375 x 1180                    |
| Specified output max:<br>W35 & A +12/+7/+2/-7/-15 (EN14511)       | kW                | 11.05 /9.61 /7.08<br>/6.20 /5.01 | 13.34 /10.79 /9.66<br>/8.69 /7.57 | 24.47 /18.51 /15.39<br>/13.99 /12.05 |
| Input power max:<br>W35 & A +12/+7/+2/-7/-15 (EN14511)            | kW                | 2.40 /2.38 /2.18<br>/2.20 /2.13  | 4.12 /3.70 /3.67<br>/3.94 /3.82   | 6.98 /6.35 /5.91<br>/6.03 /5.99      |
| Sound power $L_{WA}$ W35/A7 (EN 12102)                            | dB(A)             | 53                               | 51                                | 55                                   |
| Sound pressure $L_{pA}$ 5 m                                       | dB(A)             | 34                               | 32                                | 36                                   |
| Sound pressure $L_{pA}$ 10 m                                      | dB(A)             | 28                               | 26                                | 30                                   |
| Electrical Data, connection                                       |                   | 400V 3N~ 50Hz                    |                                   |                                      |
| Rated current / with speed regulation in control unit             | A                 | 7.1 / 6.6                        | 10.2 / 9.4                        | 16.9 / 15.5                          |
| Recommended fuse / with speed regulation in control unit          | A                 | 10 / 10                          | 13 / 10                           | 20 / 16                              |
| Ingress protection class (IP)                                     |                   | IP X4                            |                                   |                                      |
| Airflow nominal / max.  | m <sup>3</sup> /h | 2350 / 3129                      | 2350 / 3129                       | 4200 / 5457                          |
| Refrigerant quantity (R407C, fluorinated greenhouse gas GWP 1774) | kg                | 2.2                              | 2.2                               | 2.7                                  |
| CO <sub>2</sub> - equivalent                                      | tonnes            | 3.903                            | 3.903                             | 4.790                                |
| SCOP cold climate: W35 (EN14825, Pdesignh)                        |                   | 4.08                             | 3.85                              | 4.26                                 |
| SCOP average climate: W35 (EN14825, Pdesignh)                     |                   | 4.81                             | 4.90                              | 4.92                                 |
| SCOP warm climate: W35 (EN14825, Pdesignh)                        |                   | 5.91                             | 5.87                              | 6.19                                 |
| Package efficiency class: W35/55 (A+++ to G) *                    |                   | A+++ / A++                       | A+++ / A+++                       | A+++ / A+++                          |
| Energy efficiency class: W35/55 (A+++ to D)                       |                   | A+++ / A++                       | A+++ / A+++                       | A+++ / A++                           |

\* The reported data applies to use with the CTC EcoZenith i360 control unit.

Energy labels and data sheets can be downloaded from [www.ctc-heating.com/Ecodesign](http://www.ctc-heating.com/Ecodesign).



## Dimensions diagram



### Delivery includes:

Heat pump with factory-fitted connectors for power supply and communication: Communication cable 15 m. Power cable 2 m.

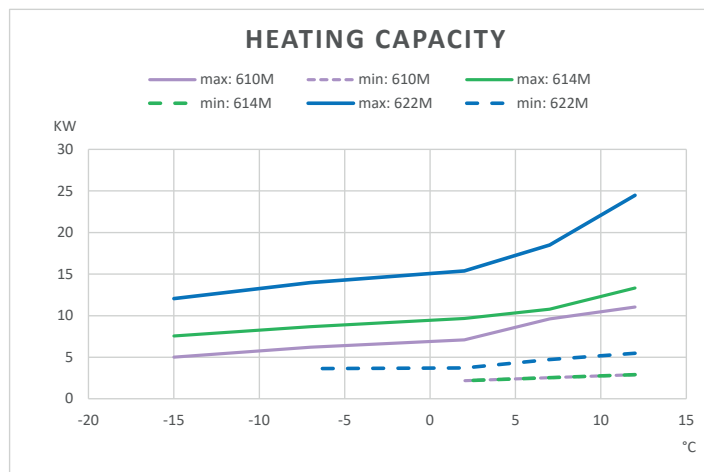
### Packaging includes:

Manual, condensate drain G1¼" and filter ball valve: G1" (610M/614M)/ G1¼" (622M)

### Recommended accessories:

CTC Installation Kit EcoAir  
CTC no.: 586534402

|   | 610M/614M | 622M |
|---|-----------|------|
| A | 486       | 550  |
| B | 1155      | 1285 |
| C | 1245      | 1375 |
| D | 188       | 188  |
| E | 1080      | 1180 |
| F | 308       | 308  |
| G | 476       | 476  |
| H | 451       | 551  |
| K | 545       | 645  |
| L | 10        | 33   |



# Compatible control units

– refer to individual product sheets for more detailed information.



# Smart accessories

– supplement and simplify.

|                               |   | CTC no.:  |
|-------------------------------|---|-----------|
| CTC Installation Kit EcoAir   | For frost-protected outdoor installations. Flexible hoses with insulation and connections | 586534402 |
| CTC Charge Pump 25/7.5-130    | 7.5 m A-class PWM. Suitable for 610M heat pumps.  | 587477302 |
| CTC Charge Pump 25/8.5-130    | 8.5 m A-class PWM. Suitable for 614M-622M heat pumps.                                     | 587477301 |
| CTC Heating Cable             | Frost protection kit for condensate pipe with 5 m cable                                   | 586685401 |
| CTC terminal set              | For connecting an external heating cable or circulation pump in the heat pump             | 586394401 |
| CTC Protective Grille EA Ø500 | Vapour guard for CTC EcoAir 610M-614M   | 588918301 |
| CTC Protective Grille EA Ø650 | Vapour guard for CTC EcoAir 622M  | 588599301 |
| CTC Protective Cover EA Ø500  | Protection for connection pipes for CTC EcoAir 610M-614M                                  | 588916301 |
| CTC Protective Cover EA Ø650  | Protection for connection pipes for CTC EcoAir 622M                                       | 588917301 |
| CTC Rain Cover EcoAir, Ø500   | Rain cover for CTC EcoAir 610M-614M for avoiding icing in exposed positions               | 586997311 |
| CTC Rain Cover EcoAir, Ø630   | Rain cover for CTC EcoAir 622M for avoiding icing in exposed positions                    | 586997312 |
| CTC Flow meter G25            | For measuring and adjusting the water flow  | 586683401 |
| Insulation Bowl               | Molded insulation for flow meter  | 586683411 |