

# USER'S GUIDE

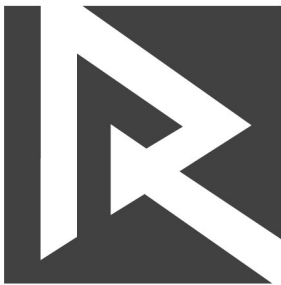
## WATER HEATED AIR CURTAINS

### Models:

REVENTON GROUP AERIS 100W-1P

REVENTON GROUP AERIS 120W-1P

REVENTON GROUP AERIS 150W-1P



# reventon

Thanks for purchasing this Air Curtain.

**PLEASE READ AND SAVE THESE INSTRUCTIONS.**

Strongly recommend to test the unit before installation for any defective or damage during shipment.

# CONTENTS

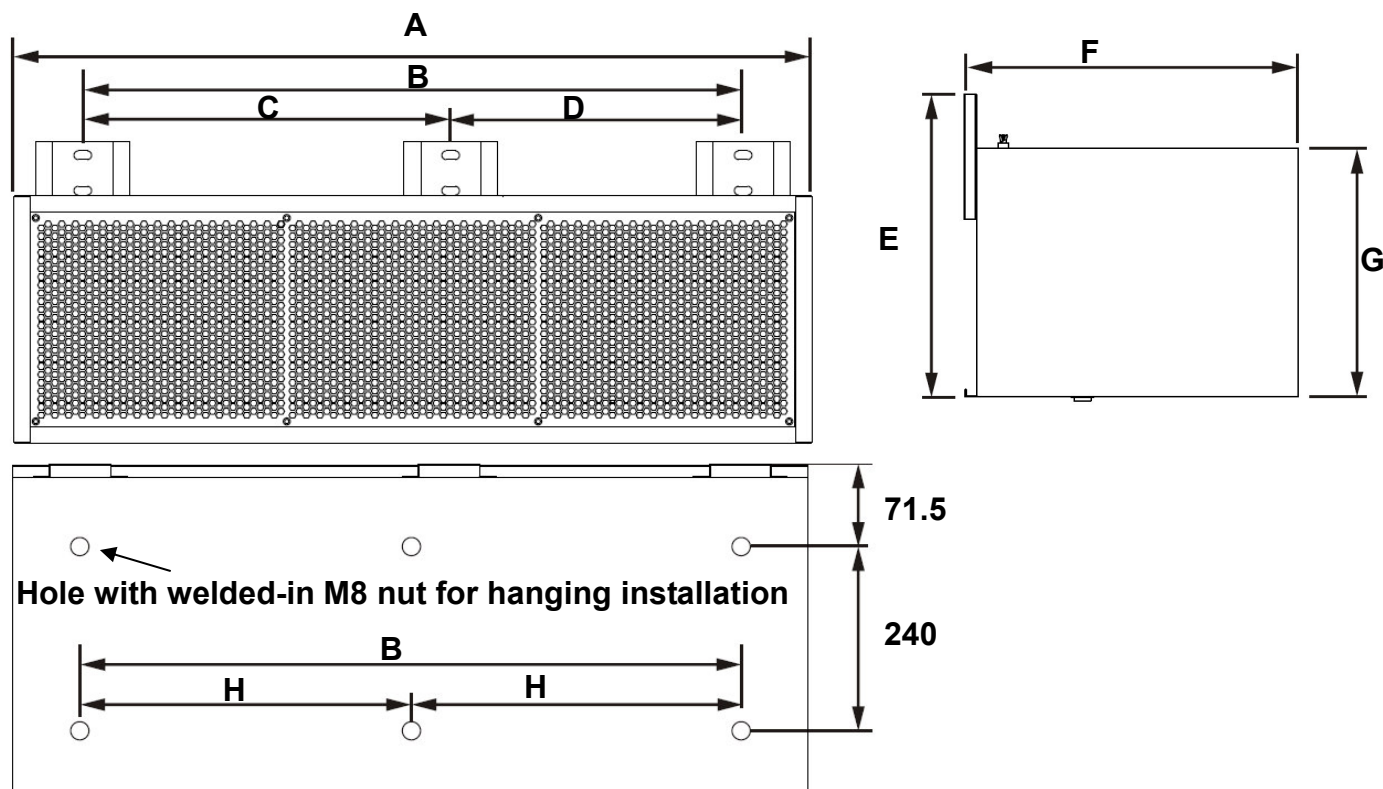
1. PRODUCT INTRODUCTIONS .....	2
2. INSTALLATION DIMENSIONS .....	2
3. INSTALLATION PLANNING & CAUTIONS .....	3
4. INSTALLATION INSTRUCTIONS.....	5
5. TECHNICAL PARAMETER .....	6
6. WIRING DIAGRAM .....	6
7. OPERATING INSTRUCTIONS.....	7
8. MAINTENANCE AND CLEANING.....	7

## 1. PRODUCT INTRODUCTIONS

Air curtains are widely installed at the entrances of supermarket, theater, meeting room, hotel, office room, storage room etc. They can reduce penetration of insects, outside dust, unconditioned air into a conditioned space by forcing an air stream over the entire entrance to create a comfortable environment for you.

The water heated air curtain is a type of energy saving product. You can use it all year around. You can install it at a place with heating system and/or cooling system.

## 2. INSTALLATION DIMENSIONS



**UNIT: mm**

MODEL	A	B	C	D	E	F	G	H
REVENTON GROUP AERIS 100W-1P	900	745	--	--	360	375.5	280	--
REVENTON GROUP AERIS 120W-1P	1200	1045	565.5	477.5				522.5
REVENTON GROUP AERIS 150W-1P	1500	1345	716.5	628.5				672.5

**Note: the data are subjected to change without notice due to product development.**

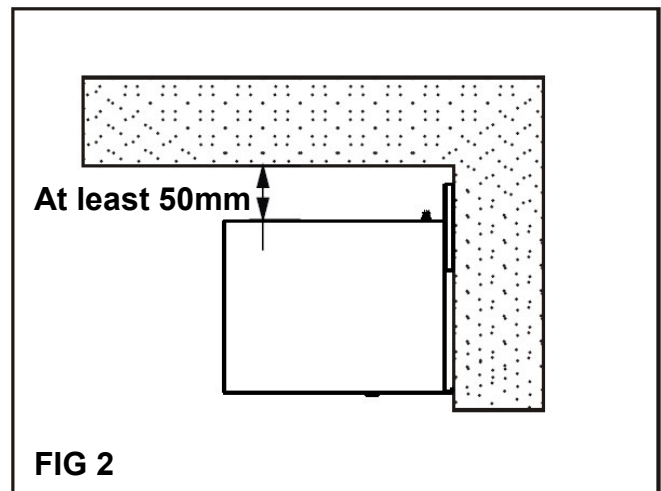
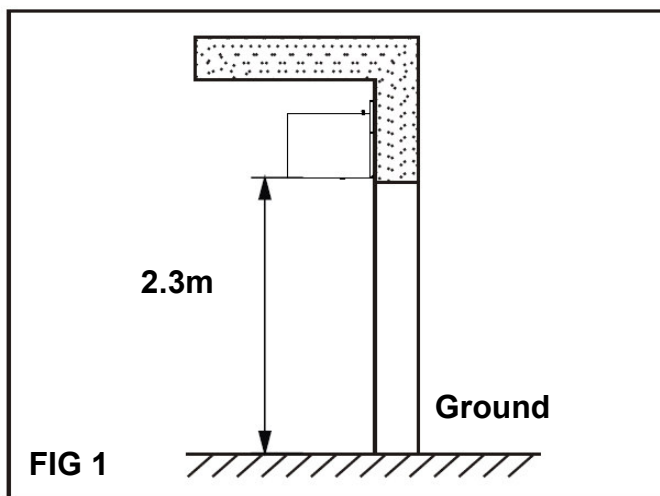
### 3. INSTALLATION PLANNING & CAUTIONS

**WARNING – TO REDUCE THE RISK OF FIRE, ELECTRIC SHOCK, OR INJURY TO PERSONS, READ THE FOLLOWING CAREFULLY before attempting to assemble, install, operate or maintain the product.**

Must observe the following when installing air curtains:

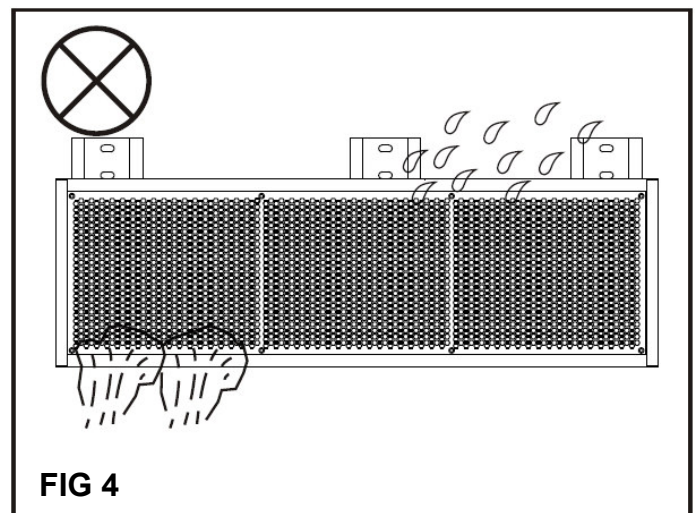
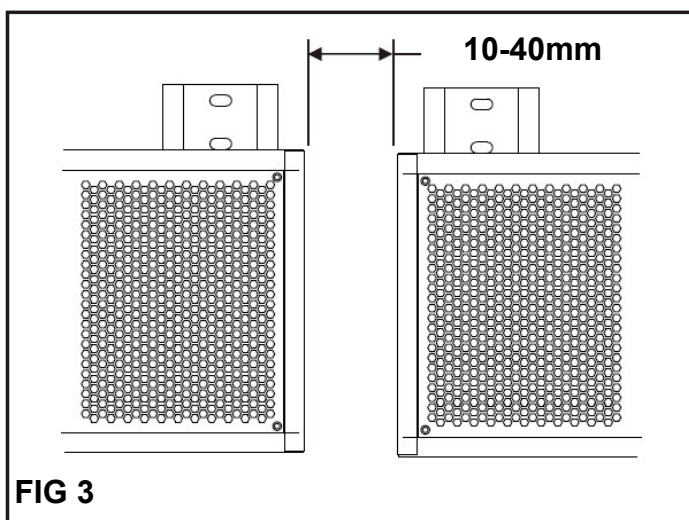
3.1 Please install it indoors at the place over the door. Don't install the unit too low, no less than 2.5 meters from the ground. See Fig 1 please.

3.2 The distance between the ceiling and the top of the air curtain shall be at least 50mm. See Fig2 please.



3.3 When the entrance is wider than the unit, it is recommended to install two or more units in parallel. In this case, provide 10-40mm gaps between the units. See Fig 3 please.

3.4 Don't install the unit at a place where it is splashed by water, exposed to excessive steam, dust / explosive gas or corrosive gas. See Fig 4 please.



**3.5 Hanging kit is not included. Please buy them to hang the air curtain to the ceiling. The product is designed hanging installation only.**

**3.6 Always disconnect, lock and tag power source before installing or servicing. Failure to disconnect power source can result in fire, shock or serious injury.**

**3.7 Please install the unit from a stationary and secure part of the building structure to avoid shaking and ensure its security (because the unit running may cause the wall to become loose or shake and make noise).**

**3.8 Verify and ensure the rated voltage and frequency (please refer to the rating label) of the air curtain is in compliance with the mains supply.**

**3.9 Do not cover the air inlet and air outlet of the air curtain when it is in operation.**

**3.10 Routine maintenance must be done every year.**

**3.11 Never use petrol, benzene, thinner or any other such chemical for cleaning the unit.**

**3.12 If power supply comes from socket, please use correct socket which the plug can fit properly. If connect the leads of power cord to the power supply directly without plug, please make sure the distance between contacts is 3mm at least.**

**3.13 The heat source of the product is hot water/steam. When no need heating, turn off the heat source to use it as an unheated air curtain.**

**3.14 The max pressure resistance of the product: 1.8~2.0Mpa.**

**3.15 Install it in indoors. Thermal insulation for the pipe must be done in winter to avoid the pipe crack because of severe cold.**

**3.16 Installation work and electrical wiring must be done by qualified person(s) in accordance with all applicable codes and standards, including fire-rated construction.**

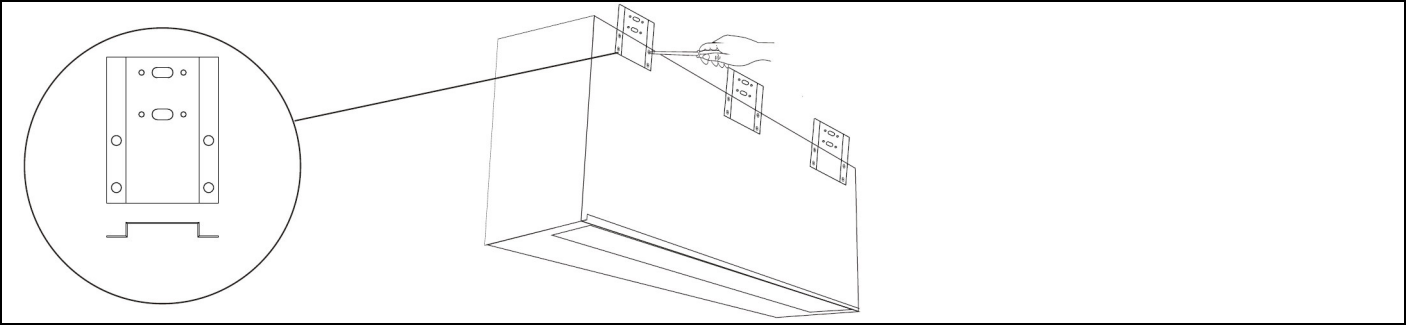
**3.17 When cutting or drilling into wall or ceiling, do not damage electrical wiring and other hidden utilities.**

**3.18 To reduce the risk of fire or electric shock, do not use this fan with any solid-state speed control device**

**3.19 Repair and maintenance operations can only be performed by qualified personnel.**

## 4. INSTALLATION INSTRUCTIONS

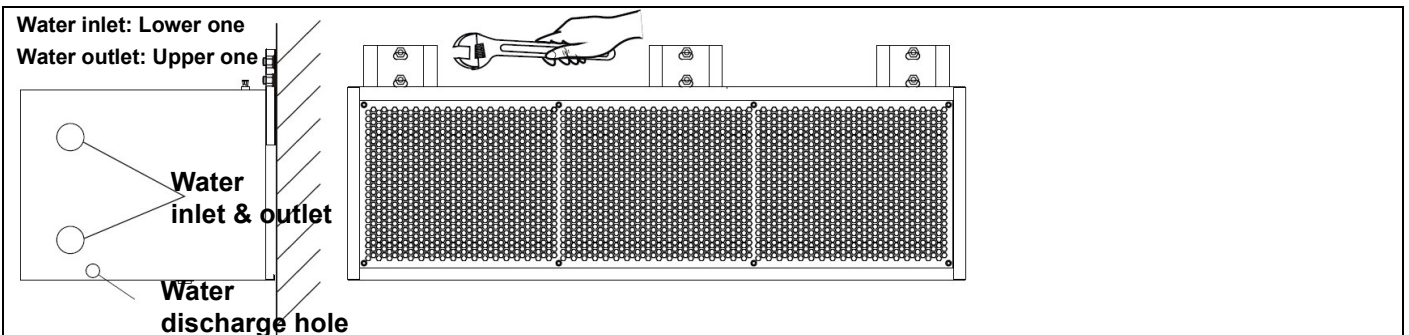
4.1 Fix the mounting bracket to the back of the product (mounting brackets and screws are packed in the carton).



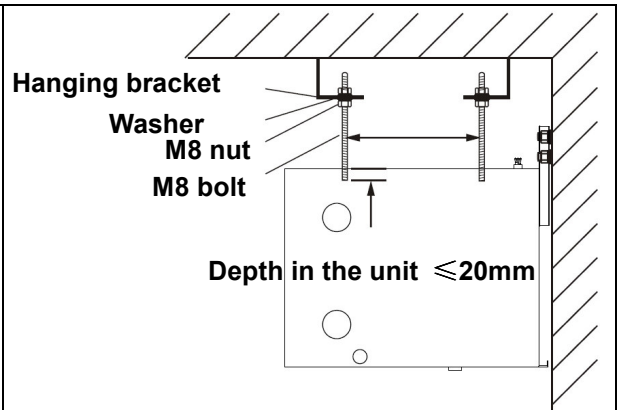
4.2 If install on concrete wall or brick wall and any other hard wall, please refer to the installation dimensions to determine the positions where fixing screws. Fix the M8 expansion bolts in the wall. Leave at least 13-15mm of the expansion bolt outside the wall.



4.3 Make sure the expansion bolts are fixed securely, then mount on the air curtain and tighten the screws.



**NOTE:**  
**Hanging installation only!**  
**Must hang the product to a sturdy place.**  
**Hanging kit is not included.**  
**Please refer to the hanging installation dimension.**  
**Hanging bolt in the product shall not be more than 20mm long**



4.4 After the air curtain is fixed securely, connect water inlet and water outlet pipe (not provided) to the product. Please make sure no any water leakage.

4.5 If any installation accessories are not provided, please buy them on yourself and make sure they are tough enough for the installation.

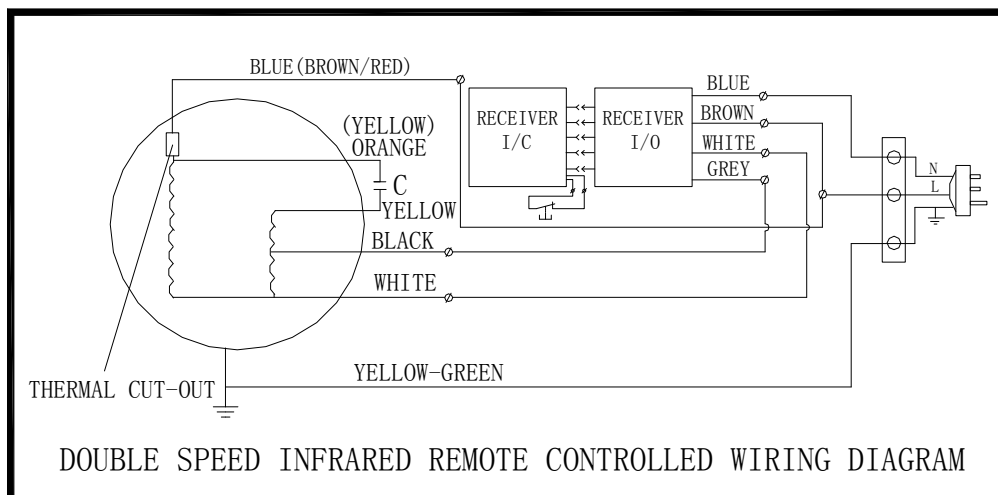
## 5. TECHNICAL PARAMETER

Model No.	Wheel Dia. (mm)	Dimensions (mm)	Voltage (V-Hz)	Max Input power (W)	Air volume (m <sup>3</sup> /h)		Air velocity (m/s)		Noise level (dB)	N.W. (Kg)	Air inflow Temp. (°C)				
					HI	LO	HI	LO							
REVENTON GROUP AERIS 100W-1P	141	900X375X280	230~50	230	2800	2150	13	10	<55	26	15				
REVENTON GROUP AERIS 120W-1P	141	1200X375X280		350	3750	2880	13	10	<57	31	15				
REVENTON GROUP AERIS 150W-1P	141	1500X375X280		430	4700	3620	13	10	<59	36	15				
Model No.	Circulating water temp. 100-65°C					Circulating water temp. 90-60°C					Circulating water temp. 88-55°C				
	water flow speed (m/s)	water volume (Kg/h)	Water resistance (Pa)	Air outflow temp. (°C)	Heating capacity (KW)	water flow speed (m/s)	water volume (Kg/h)	Water resistance (Pa)	Air outflow temp. (°C)	Heating capacity (KW)	water flow speed (m/s)	water volume (Kg/h)	Water resistance (Pa)	Air outflow temp. (°C)	Heating capacity (KW)
REVENTON GROUP AERIS 100W-1P	0.49	878	2036	53	20	0.39	698	1620	49	16	0.45	805	1870	47	13
REVENTON GROUP AERIS 120W-1P	0.65	1170	2715	53	28	0.52	1170	2610	49	21	0.6	1070	2500	47	17
REVENTON GROUP AERIS 150W-1P	0.82	1460	3390	53	36	0.65	1460	2700	49	27	0.75	1330	3115	47	21

**Diameter of pipe thread: 3/4 inch**

**Note: the data are subjected to change without notice due to product development.**

## 6. WIRING DIAGRAM

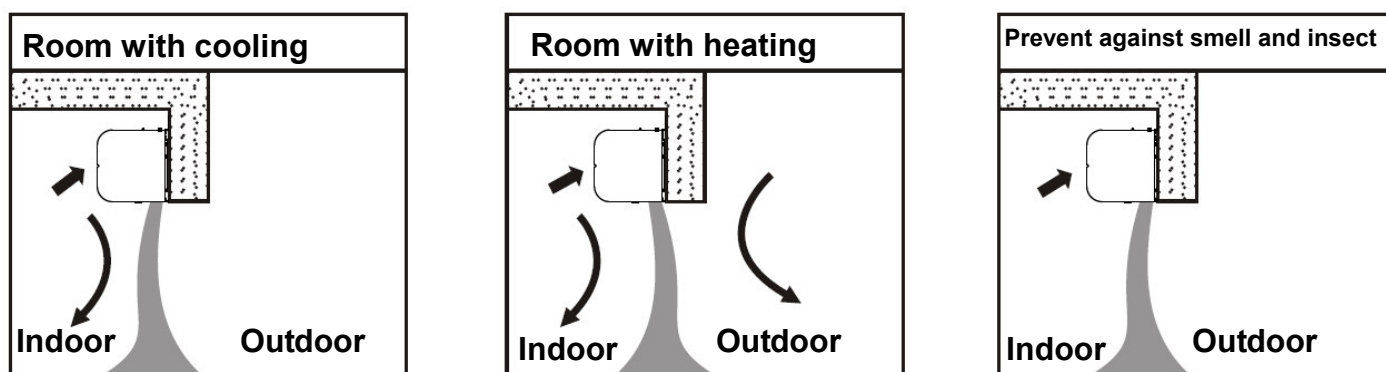


## 7. OPERATING INSTRUCTIONS

7.1 Connect power to the unit.

7.2 Press the [on/off] button on the air curtain to turn it on at default high speed or turn it off. Press the button [H] / [L] to select suitable speed, button [L] - Low speed, [H] - High speed. You can also press the [on/off] button on the remote control to turn on the air curtain at default high speed, press it again to switch the unit to low speed, and press again to turn it off.

The temperature of the blower air is controlled by the user's heating system.



## 8. MAINTENANCE AND CLEANING

### WARNING:

- A. Any service is to be performed only by qualified personnel who are familiar with local codes and regulations and are experienced with this type of product.
- B. Always unplug or disconnect the appliance from the power supply before installation, servicing or cleaning the unit.
- C. Never use petrol, benzene, thinners or any other such chemicals for cleaning the unit.
- D. Don't allow water or any liquid to enter the motor.
- E. Use the unit at the rated voltage and frequency indicated on the rating label.

8.1. Routine maintenance must be done every year, clean the dust on the heat exchanger and other parts, keep them clean.

8.2. Plastic parts should be cleaned with mild soap water, thoroughly remove soap film with a clean damp cloth.

8.3. Dry the case with a soft dry cloth before operating the unit.

8.4. Please choose proper piping according to the type of heat source. The pipe must be thermal insulated. When using hot water as heat source, the upper one is water outlet and the lower one is water inlet. Install automatic discharge valve at the place of water outlet or the highest place of main pipe.

8.5. When using hot water as heat source, the water must be soft water.

8.6. Please discharge condensed water or steam and preheat for 10 minutes when need to use the product.

8.7. Please discharge the water in the heat exchanger when the product is not in use.

8.8. In order to prolong the lifespan of the product, prohibit heating when the product is not turned on.

8.9. If any abnormality happens, turn off the product immediately and check the problem.