



# CTC EcoZenith i555 Pro

All-in-one tank with built-in, intelligent control.  
9-27 kW



## CTC EcoZenith i555 Pro, the brain of your heating system, automatically detects which components are connected.

CTC EcoZenith i555 Pro has a touch display with a very user-friendly interface through which you can easily access all functions – just like your smartphone. You can also mirror the display on your tablet, phone or computer. But most importantly, it has a multi-language interface and clear symbols that make it easy to adjust heating, hot water, etc. and retrieve a wealth of information about the operation.

The CTC EcoZenith i555 Pro can control all components in one or more heating circuits: solar, pool heating, additional hot water tanks and buffer tanks, as well as electrical, wood, oil, gas and pellet boilers. It is also able to control many different types of heat pumps and select which is to be used for optimal savings.

The CTC EcoZenith i555 Pro has several connection points on the sides. This provides discreet and simple pipe installations along with possibilities to easily extend the system in the future. Add CTC heat pumps or boilers for unlimited possibilities to create a flexible heating system. If you want to utilise solar heating, the CTC EcoZenith i555 Pro is equipped with solar control and a 10 metre-long solar coil.

The CTC EcoZenith i555 Pro provides plenty of hot water. At a flow rate of 22 litres per minute, the capacity is more than 600 litres of 40°C hot water. The CTC EcoZenith i555 Pro is very well insulated with 90 mm-thick injection-moulded polyurethane. The insulation is delivered separately, which means that fits through a standard door. The CTC EcoZenith i555 Pro is only 1.7 m in height, and can therefore be located in rooms with low ceilings.

Output up to 27 kW. CTC EcoZenith i555 Pro 3x400V is equipped with two electric heaters with a combined output of 18 kW. An additional electric heater is available as an accessory to achieve a total output of 27 kW.

CTC EcoZenith i555 Pro has internet connectivity as standard, so you can easily control your heat pump remotely. To ensure compatibility with smart homes, the product is equipped for connection to Alexa, Google Home, etc. It is also SmartGrid-ready, which means it is equipped for the electricity grid of the future.

## Benefits

- Smart touch display with user-friendly interface
- Economical: save up to 80% with a ground source heat pump
- Available in 3 versions
- 600 litres of Legionella-proof hot water
- EnergyFlex – total flexibility to connect other heat sources
- Solar coil and control for solar heating
- Can be controlled from a smartphone with myUplink



Find a CTC distributor in your home country  
[www.ctc-heating.com](http://www.ctc-heating.com)

# Whenever you purchase a product from CTC, it usually comes fully equipped, but there are also a few smart accessories to make life even easier.

## myUplink

With the myUplink app, you can monitor and control your system directly via your mobile phone. For instance, you can adjust the temperature or be alerted if the system shuts down for any reason. The myUplink app can be downloaded for free from the App Store or Google Play.



### CTC EcoVent 25 - Exhaust Air Unit

Allows for tidy and easy installation in buildings with mechanical exhaust air ventilation. The used air is vented out and new, fresh air is supplied to the building by the building's own air supply diffuser.

CTC no.: 589701001

### CTC EcoVaf III - Exhaust Air Unit with recovery

Designed to dock with CTC's geothermal/ground source/lake heat pumps in buildings with mechanical exhaust air ventilation. Recovers heat from the exhaust air and raises the temperature of the brine, which produces a higher COP.

CTC no.: 586713001

## CTC Extra Mixing Valve Group

Complete package for neat and easy installation of additional heating circuits. Complete and ready-to-use with connected controls – so getting started is quick and simple. Equipped with an energy-efficient circulation pump, in accordance with the ErP Directive. Well-insulated unit with easy external access to all adjustment controls and electronic components.

CTC no.: 587396301



### External Tank Charging Assembly

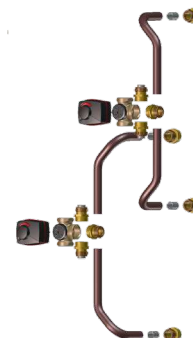
When installing one or more tanks with CTC EcoZenith, a charging assembly is needed to achieve the best functionality. Contains diverting valve with actuator, two circulation pumps, non-return valve, shut-off valve, and the necessary connectors and gaskets.

CTC no.: 584078301

### Diverting Valve Assembly

When connecting one or more heat pumps to CTC EcoZenith, a diverting valve assembly is needed to achieve the best functionality. Contains two diverting valves (DN 32, Kvs 16) with actuators, and a factory-assembled pipe package for easy installation. Connection to the diverting valve is by means of a 1 1/4" internal thread.

CTC no.: 584071301



### CTC SmartControl

A series of smart wireless sensors which detect temperature, humidity and carbon dioxide. The system is based on CTC SmartControl Gateway, a base unit able to control up to seven optional wireless accessories.

The series includes a wireless room sensor powered by solar cells, a humidity and CO<sub>2</sub> sensor that can control ventilation as needed, a repeater that amplifies signals between different accessories and a multi-button able to control several different functions, such as additional hot water.

## Other accessories

### CTC SMS Control

Full control of your heating system via SMS

CTC no.:

585518301

### CTC Bivalent Mixing Valve

For installation with heat extraction above 25 kW

584072301

### CTC Mixing Valve Group 2

For installing additional heating circuits (connection 22 mm)

586857001

### CTC EcoComfort

A passive cooling unit that uses the borehole's cool temperature

585920001

### CTC Radiator Pump

Additional circulation pump for system/additional heating circuit (25/60-130)

588892301

### CTC Charge Pump 25/70-130

PWM, with terminal block, cables and instructions for 6-8 kW heat pumps

587477303

### CTC Charge Pump 25/75-130

PWM, with terminal block, cables and instructions for 10-12 kW heat pumps

587477302

### CTC Charge Pump 25/85-130

PWM, with terminal block, cables and instructions for 14-20 kW heat pumps

587477301

### Flue gas sensor 3.3K, 0.3 m

Used when connecting wood boiler

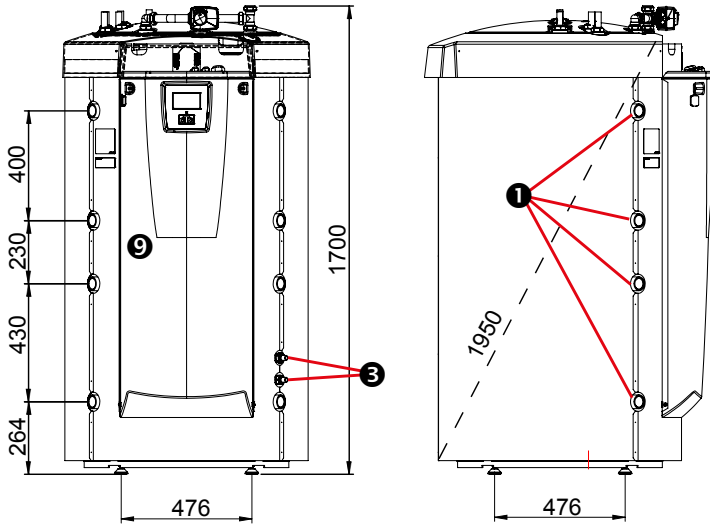
913002401

### Extra Sensor 22K, 5 m

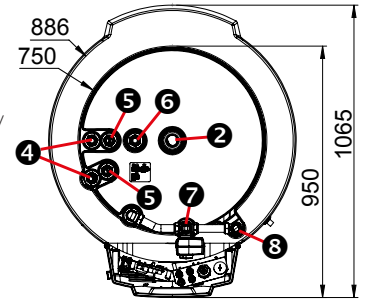
Used when connecting e.g. hot water storage tank

588570302

## Dimensions diagram



1. Heating connection, G 1 1/4" int.
2. Expansion vessel/Top con/ Lifting sleeve, G 1 1/4" internal
3. Solar coil, Ø18 mm
4. Cold water, Ø22 mm
5. DHW, Ø22 mm
6. DHW circulation, Ø22 mm
7. Radiator primary flow, clamp ring 28 mm
8. Radiator return, spring clip 28 mm
9. Connection electric (behind the front)



### Delivery includes:

Installation and Maintenance Manual

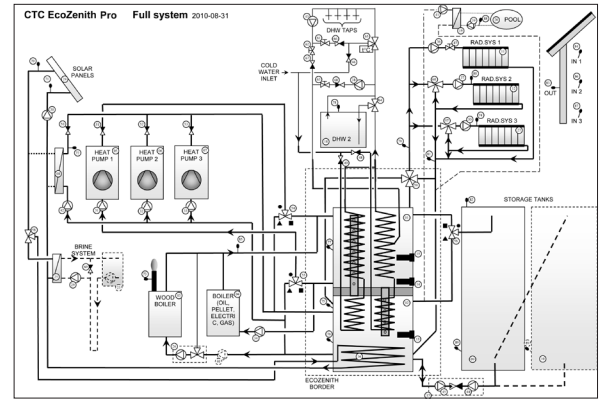
### Packaging includes:

Outdoor sensor, room sensor, return sensor, primary flow sensor, current sensor, draining kit and safety valves

### Compatible heat pumps:

**Air-to-water:** CTC EcoAir 406-420, 510M (1N-), 520M, 614M-622M

**Ground source/geothermal/lake:** CTC EcoPart 406-435, 614M-622M



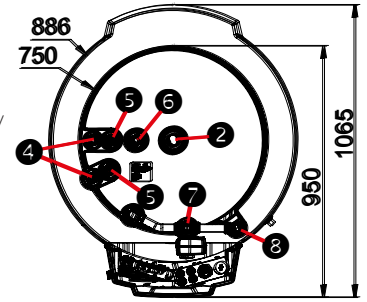
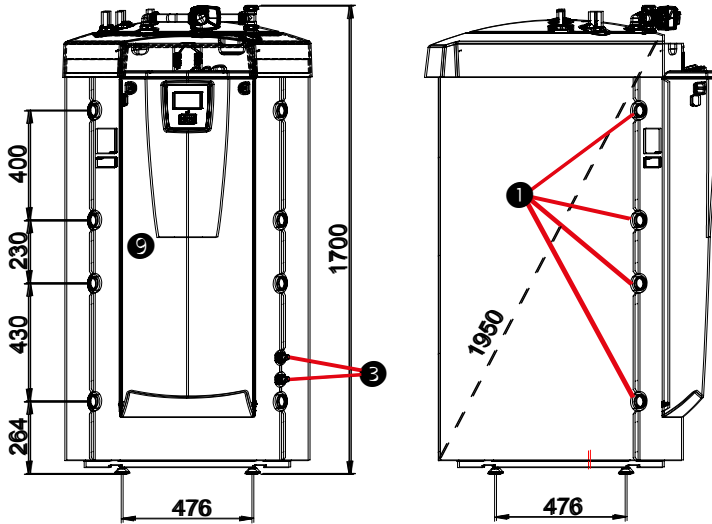
Technical data 3x400 V		i555 Pro
CTC no.		589600001
Weight (packaged weight)	kg	260 (295)
Dimensions (depth x width x height)	mm	1067 x 886 x 1700
Required ceiling height	mm	1950
Electrical data, connection		400V 3N~ 50 Hz
Energy efficiency class in heating circuit @ 35/55 °C <sup>1)</sup>		A++/ A+
Enclosure class (IP)		IP X1
Rated current (optional)	A	26.1 (39.1)
Rated power (optional)	kW	18 (27)
Electric heater output, upper tank (optional extra)	kW	0.3 - 9.0 (0.3 - 9.0)
Electric heater output, lower tank	kW	3.0 - 9.0
Energy efficiency class hot water/charge profile (EN 16147) <sup>1)</sup>		A / XXL
DHW performance V <sub>40</sub> DHW volume 40 °C (EN 16147) <sup>1)</sup>	litres	> 600
Water volume – Heating system (V)	litres	540
Water volume – Water supply system (V)	litres	11.4
Max. operating pressure (Heating system) (PS)	bar	2.5
Max. operating pressure (Water supply system) (PS)	bar	9
Temperature thermostat overheating protector device	°C	92-98

<sup>1)</sup> CTC EcoZenith is only approved for installation together with heat pumps in accordance with the EU Ecodesign Directive.

The data provided is applicable together with heat pump CTC EcoPart 430. Ecodesign data scale: A+++ to G

Energy labels and data sheets can be downloaded from [www.ctc-heating.com/Ecodesign](http://www.ctc-heating.com/Ecodesign)

## Dimensions diagram



1. Heating connection, G 1 1/4" int.
2. Expansion vessel/Top con/ Lifting sleeve, G 1 1/4" internal
3. Solar coil, Ø18 mm
4. Cold water, Ø22 mm
5. DHW, Ø22 mm
6. DHW circulation, Ø22 mm
7. Radiator primary flow, clamp ring 28 mm
8. Radiator return, spring clip 28 mm
9. Connection electric (behind the front)

### Delivery includes:

Installation and Maintenance Manual

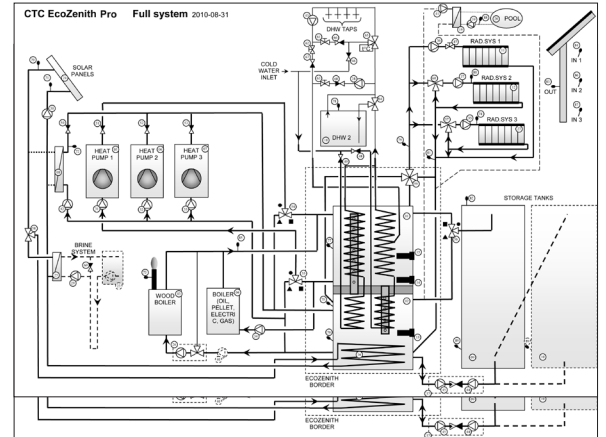
### Packaging includes:

Outdoor sensor, room sensor, return sensor, primary flow sensor, current sensor, draining kit and safety valves

### Compatible heat pumps:

**Air-to-water:** CTC EcoAir 406-420, 510M (1N-), 520M, 614M-622M

**Ground source/geothermal/lake:** CTC EcoPart 406-435, 614M-622M



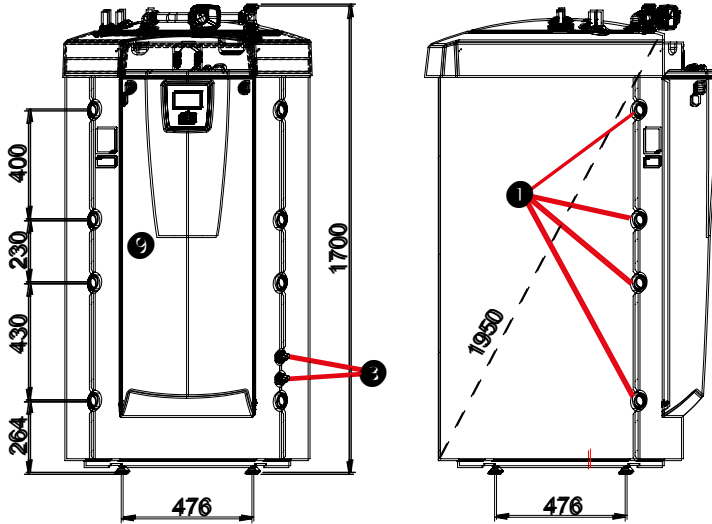
Technical data 1x230 V		i555 Pro
CTC no.		589600002
Weight (packaged weight)	kg	257 (283)
Dimensions (depth x width x height)	mm	1067 x 886 x 1700
Required ceiling height	mm	1950
Electrical data, connection		230V 1N~ 50 Hz
Energy efficiency class in heating circuit @ 35/55 °C <sup>1)</sup>		A++/ A+
Enclosure class (IP)		IP X1
Rated current	A	40
Rated power	kW	9
Electric heater output	kW	3.0 - 9.0
Energy efficiency class hot water/charge profile <sup>1)</sup> (EN16147)		A / XXL
DHW performance V <sub>40</sub> Volume 40°C (EN16147)	litres	> 600
Water volume – Heating system (V)	litres	540
Water volume – Water supply system (V)	litres	11.4
Max. operating pressure (Heating system) (PS)	bar	2.5
Max. operating pressure (Water supply system) (PS)	bar	9
Temperature thermostat overheating protector device	°C	92-98

<sup>1)</sup> CTC EcoZenith is only approved for installation together with heat pumps in accordance with the EU Ecodesign Directive.

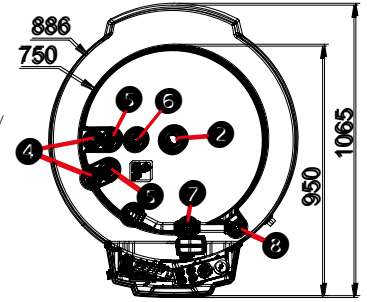
The data provided is applicable together with heat pump CTC EcoPart 430. Ecodesign data scale: A+++ to G

Energy labels and data sheets can be downloaded from [www.ctc-heating.com/Ecodesign](http://www.ctc-heating.com/Ecodesign)

## Dimensions diagram



1. Heating connection, G 1 1/4" int.
2. Expansion vessel/Top con/ Lifting sleeve, G 1 1/4" internal
3. Solar coil, Ø18 mm
4. Cold water, Ø22 mm
5. DHW, Ø22 mm
6. DHW circulation, Ø22 mm
7. Radiator primary flow, clamp ring 28 mm
8. Radiator return, spring clip 28 mm
9. Connection electric (behind the front)



### Delivery includes:

Installation and Maintenance Manual

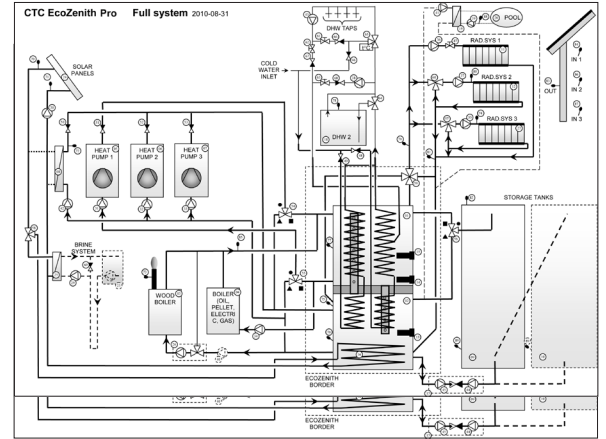
### Packaging includes:

Outdoor sensor, room sensor, return sensor, primary flow sensor, current sensor, draining kit and safety valves

### Compatible heat pumps:

**Air-to-water:** CTC EcoAir 406-420, 510M (1N-), 520M, 614M-622M

**Ground source/geothermal/lake:** CTC EcoPart 406-435, 614M-622M



Technical data 3x230 V		i555 Pro
CTC no.		589600003
Weight (packaged weight)	kg	257 (283)
Dimensions (depth x width x height)	mm	1067 x 886 x 1700
Required ceiling height	mm	1950
Electrical data, connection		230V 3~ 50 Hz
Energy efficiency class in heating circuit @ 35/55 °C <sup>1)</sup>		A++/ A+
Enclosure class (IP)		IP X1
Rated current	A	35.39 (53.09)
Rated power	kW	14.10 (21.15)
Electric heater output	kW	2.35 - 7.05 (2.35 - 7.05)
Energy efficiency class hot water/charge profile <sup>1)</sup> (EN16147)		2.35 - 7.05
DHW performance V <sub>40</sub> Volume 40°C (EN16147)	litres	A / XXL
Water volume – Heating system (V)	litres	> 600
Water volume – Water supply system (V)	litres	540
Max. operating pressure (Heating system) (PS)	bar	11.4
Max. operating pressure (Water supply system) (PS)	bar	2,5
Temperature thermostat overheating protector device	°C	9
Temperature thermostat overheating protector device	°C	92-98

<sup>1)</sup> CTC EcoZenith is only approved for installation together with heat pumps in accordance with the EU Ecodesign Directive.

The data provided is applicable together with heat pump CTC EcoPart 430. Ecodesign data scale: A+++ to G

Energy labels and data sheets can be downloaded from [www.ctc-heating.com/Ecodesign](http://www.ctc-heating.com/Ecodesign)