



# CTC EcoZenith i550 Pro

## All-in-one thermal store with intelligent control



The CTC EcoZenith is an all in one heat storage and distribution hub with an integrated intelligent control centre. The EcoZenith which is part of the Energy Flex family offers a truly unique and efficient solution to your total heat and hot water requirements.

The CTC EcoZenith will actively manage all of the heat sources, as well as controlling up to 3 independent weather compensated heating zones. The Intelligent controls automatically match the most environmentally friendly and cost efficient heat sources with the heating demand of the property.

To ensure energy security, the CTC EcoZenith is fitted with multi-stage immersion heaters, providing an alternative backup when required.

Further functionality is available for heating a swimming pool or linking to additional thermal stores.

The CTC EcoZenith provides ample hot water, up to 40 litres per minute; it is also capable of providing 600 litres of 40 °C water at a flow rate of 22 litres per minute.

The tank comes complete with multiple generously sized connections, which assist not only with the installation and operation, but provide opportunities to easily expand the system in the future.

The CTC EcoZenith is the natural addition to any heating system, providing the intelligent `energy hub` that is necessary to fully integrate today's mix of both renewable and non-renewable heat sources, ensuring comfort, reliability, and energy efficiency for the home or business owner.

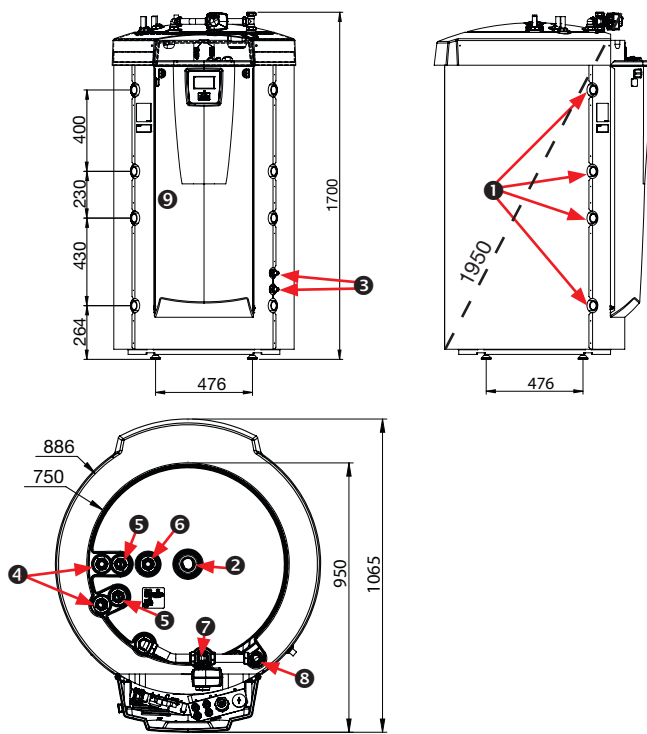
### Key features:

- A thermal store providing both heating (LPHW) and domestic hot water (DHW)
- Designed for integration into all common heating systems
- Stores LPHW at the most efficient system temperature
- Built in 9 kW solar coil and controller, as standard
- Produces up to 40 l/min of DHW safe from Legionella
- Secondary return connection for DHW circuit
- Controls up to 3 CTC heat pumps
- Integrates with gas, oil, wood and pellet fired boilers
- Anti-legionella protection incorporated into the design.
- Controls swimming pool heating
- Controls up to 3 weather compensated heating zones
- Built in alternative heat source for energy security
- 90 mm of polyurethane insulation to minimise heat loss
- Optional remote monitoring.
- Single and three phase design



For more information on all CTC products please visit  
[www.ctc-heating.com](http://www.ctc-heating.com)

## Measurements

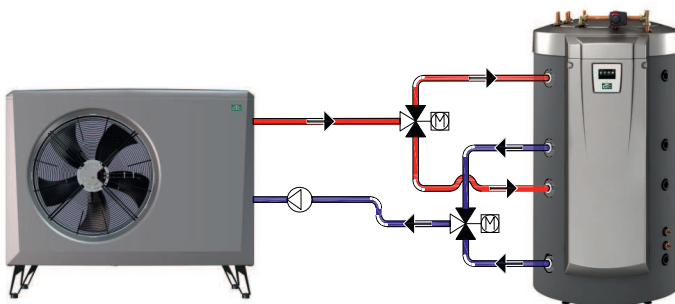


1. Connection heat sources, 1 1/4" BSP FI
2. Expansion vessel, 1 1/4" BSP FI
3. Solar coil, Ø18 mm copper tails
4. Mains cold water, Ø22 mm copper tails
5. Hot water flow, Ø22 mm copper tails
6. Hot water return, Ø22 mm copper tails
7. Heating flow, 28 mm compression
8. Heating return, 28 mm compression
9. Control panel and electrical terminations (Behind removable cover)

## Scope of delivery

Installation and Maintenance Manual  
 Outdoor sensor  
 Room sensor  
 Safety valve 9 bar (tap water)  
 Safety valve 2.5 bar (radiator system)  
 Drainage valve  
 Primary and return sensor  
 Current sensors 3 pcs  
 Additional package with rear insulation sections and plastic top

## Outline diagram with CTC EcoAir 400



## Accessories

## Art nr:

Reverse valve for VP	58 4071 301
Pump PWM VP 6-8kW	58 5032 301
Pump PWM VP 10-12kW	58 5033 301
Pump PWM VP 14-20kW	58 5999 301
Bivalent Mixing Valve Kvs 10 (>25kW)	58 4072 301
Charging pack ext. tank	58 4078 301
Immersion heater EZ 9kW 2"	91 3238 301
Extra sensor NTC 22k	58 3742 308
Flue gas sensor NTC 3.3k	91 3002 401

CTC EcoZenith i550 Pro	400V 3N~	230V 1N~
Main dimensions on delivery	1700 x 750 x 950 mm	
Main dimensions when installed	1700 x 886 x 1067 mm	
Weight	256 Kg	
IP class	IPX1	
Domestic hot water capacity (40 °C, 22 l/min)		
Tank temp 55 °C, HP (EA400) allowed	>600 L	
Domestic hot water coil (finned)	2 x 18,6 m	
Domestic hot water coil circulation (finned)	0,6 m	
Solar coil (finned)	10 m	
Vattenvolym	540 L	
Electrical data	400V 3N~	230V 1N~
Power immersion heaters (option)	9 kW + 9 kW (+9 kW accessory)	9 kW
Power limitation, immersion heaters, upper tank	0,3 kW/step	3 kW/step
Power limitation, immersion heaters, lower tank	3,0 kW/steg	-
Current monitor, built-in	Yes	

+46 372 880 00 Fax +46 372 861 55  
[www.ctc-heating.com](http://www.ctc-heating.com)  
 Box 309, 341 26 Ljungby Sweden

