












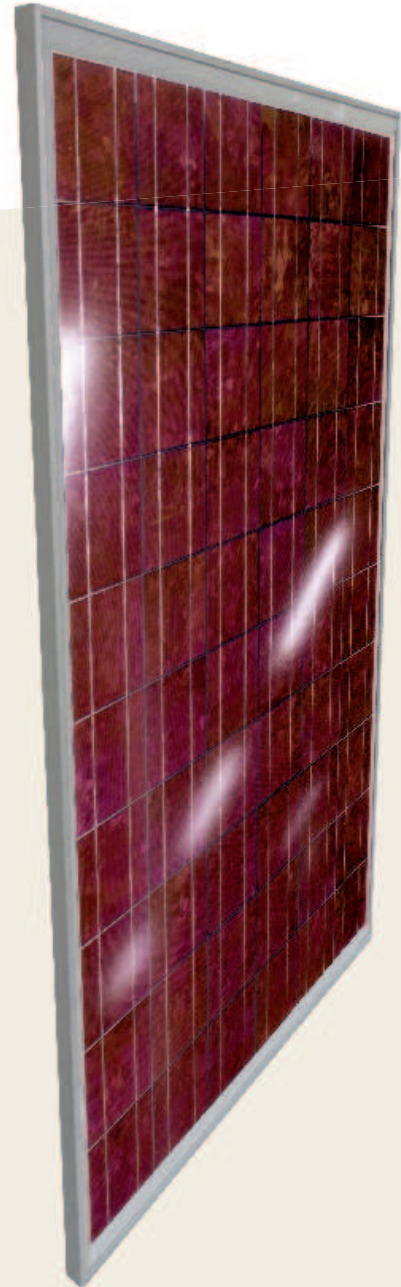
SOLUXTEC

DIE MODUL MANUFAKTUR
100% MADE IN GERMANY

SOLUXTEC DAS MODUL

Multi RED Serie

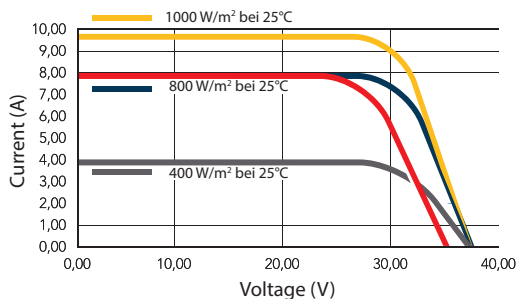
-  20 year warranty
-  Excellent CO₂ Balance
-  Ultra-Light
-  100% Quality Control
-  Linear Performance Warranty
-  Loading Capacity 5400 Pa
-  Innovative Junction Box
-  Excellent thermal Properties
-  Positive Tolerance



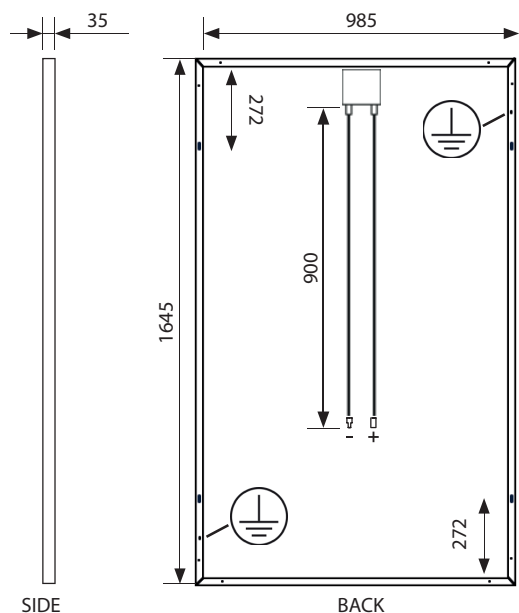
SOLUXTEC DAS MODUL

Multi RED Serie

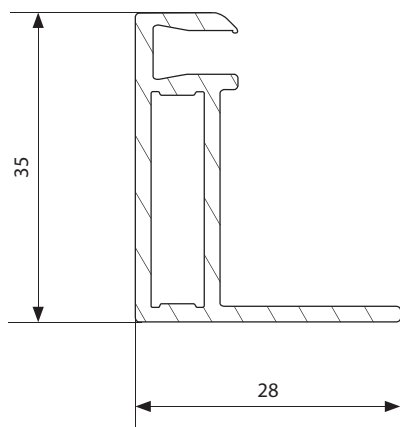
I-V CURVES



MODULE DIMENSIONS



FRAME DIMENSIONS



SOLUXTEC

Soluxtec GmbH, Werner von Siemens Str. 25, 54634 Bitburg
Tel.: +49 65 61 69 37 265 Fax: +49 65 61 69 40 521
E-Mail: info@soluxtec.de Web: www.soluxtec.eu

ELECTRICAL PERFORMANCE UNDER STANDARD TEST CONDITIONS, 1000 W/m², AM=1.5

Maximum Power	Pmax	Wp	240	250
Open Circuit Voltage	Voc	V	37,20	37,4
Short Circuit	Isc	A	8,10	8,5
Maximum Power Point Voltage	Vmpp	V	31,20	31,4
Maximum Power Point Current	mp	A	7,70	7,98
Efficiency	%		14,80	15,45

ELECTRICAL PERFORMANCE UNDER NOCT, 800 W/m², AM=1.5, T=20°C

Maximum Power	Pmax	Wp	165,75	173
Open Circuit Voltage	Voc	V	32,50	32,8
Short Circuit	Isc	A	6,50	6,85
Maximum Power Point Voltage	Vmpp	V	26,45	27,05
Maximum Power Point Current	Imp	A	6,25	6,40

THERMAL CHARACTERISTICS		COMPONENTS
STC	25°	Cells Number 60
NOCT	45°	Technology polycrystalline silicon
TC Isc	+0,052%/K	Cell Dimension 156 x 156 mm
TC voc	-0,335%/K	Junction Box IP 67 ventilated
TC Pmpp	-0,440%/K	Connector MC4
		Glass tempered+patterned Glass Thickness 3,2 mm

GENERAL CHARACTERISTICS	INTEGRATION CHARACTERISTICS
Module Weight 18 kg	Max. System Voltage 1000 Vdc
Color black / white	Protection Class A
Frame Color black / silver	Operating Temperature Range - 40 ... + 80
Total Thickness 35 mm	Max. Reserve Current 16 A

CERTIFICATIONS

IEC 61215
EN 61730

PERFORMANCE WARRANTY

Linear
80,20% after 25 years

PRODUCT WARRANTY

20 years

POWER TOLERANCE*

0/+3% de Pmpp
PFlash > Pmpp

This data Sheet complies with the requirements of EN 50380.
Soluxtec reserves the right to make specification changes without prior notice (2016).
* Flasher AAA, Power tolerance measurement of +/- 3%.

V01_2016

www.soluxtec.eu