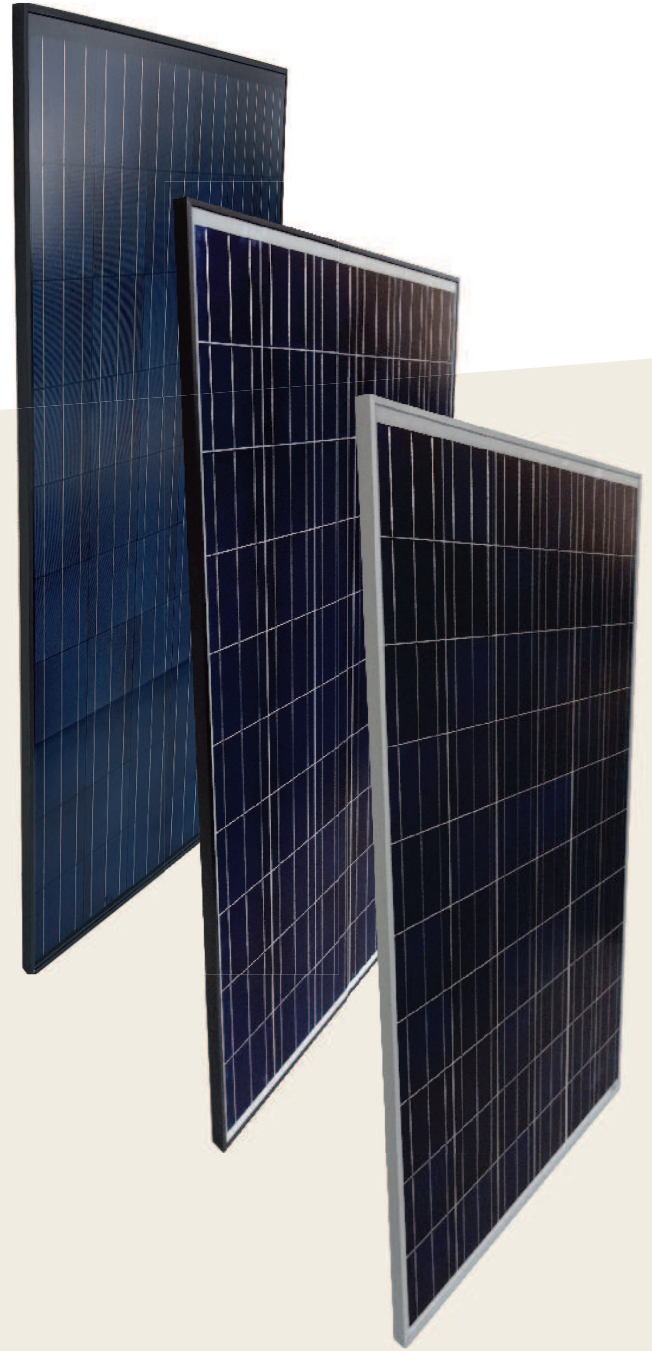




SOLUXTEC

DIE MODUL MANUFAKTUR
100% MADE IN GERMANY



SOLUXTEC DAS MODUL

Multi Serie



20 year warranty



Excellent CO₂ Balance



Ultra-Light



100% Quality Control



Linear Performance Warranty



Loading Capacity 5400 Pa



Innovative Junction Box



Excellent thermal Properties



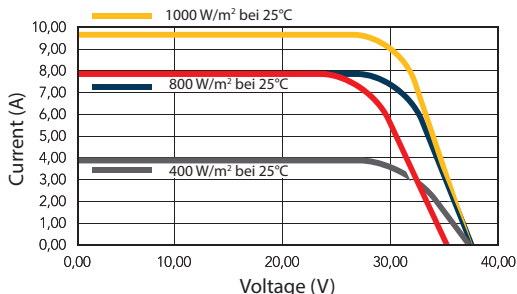
Positive Tolerance



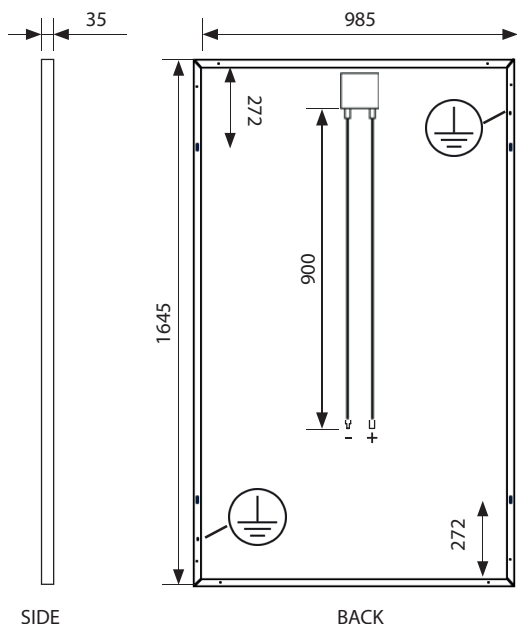
SOLUXTEC DAS MODUL

Multi Serie

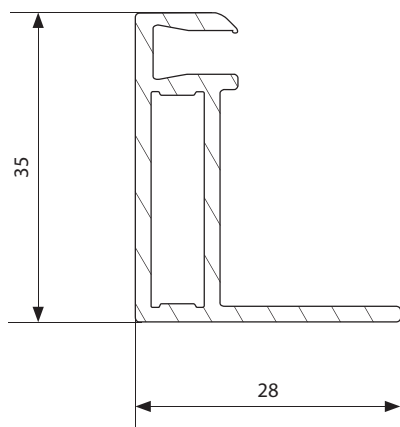
I-V CURVES



MODULE DIMENSIONS



FRAME DIMENSIONS



SOLUXTEC

Soluxtec GmbH, Werner von Siemens Str. 25, 54634 Bitburg
Tel.: +49 65 61 69 37 265 Fax: +49 65 61 69 40 521
E-Mail: info@soluxtec.de Web: www.soluxtec.eu

ELECTRICAL PERFORMANCE UNDER STANDARD TEST CONDITIONS, 1000 W/m², AM=1.5

Maximum Power	P _{max}	Wp	250	255	260	265
Open Circuit Voltage	V _{oc}	V	37,90	37,92	37,95	37,98
Short Circuit	I _{sc}	A	8,75	8,84	8,91	8,98
Maximum Power Point Voltage	V _{mpp}	V	30,40	30,60	30,80	31,00
Maximum Power Point Current	I _{mpp}	A	8,25	8,34	8,45	8,55
Efficiency	%		15,48	15,75	16,06	16,35

ELECTRICAL PERFORMANCE UNDER NOCT, 800 W/m², AM=1.5, T=20°C

Maximum Power	P _{max}	Wp	185	189	193	196
Open Circuit Voltage	V _{oc}	V	34,70	34,80	34,90	35,05
Short Circuit	I _{sc}	A	7,12	7,14	7,17	7,20
Maximum Power Point Voltage	V _{mpp}	V	27,80	28,20	28,60	29,00
Maximum Power Point Current	I _{mpp}	A	6,69	6,72	6,76	6,80

THERMAL CHARACTERISTICS

STC	25°
NOCT	45°
TC I _{sc}	+0,052%/K
TC v _{oc}	- 0,335%/K
TC P _{mpp}	- 0,440%/K

COMPONENTS

Cells Number	60
Technology	polycrystalline silicon
Cell Dimension	156 x 156 mm
Junction Box	IP 67 ventilated
Connector	MC4
Glass	tempered+patterned
Glass Thickness	3,2 mm

GENERAL CHARACTERISTICS

Module Weight	18 kg
Color	black / white
Frame Color	black / silver
Total Thickness	35 mm

INTEGRATION CHARACTERISTICS

Max. System Voltage	1000 Vdc
Protection Class	A
Operating Temperature Range	- 40 ... + 80
Max. Reserve Current	16 A

CERTIFICATIONS

IEC 61215
EN 61730

PERFORMANCE WARRANTY

Linear
80,20% after 25 years

PRODUCT WARRANTY

20 years

POWER TOLERANCE*

0/+3% of P_{mpp}
PFlash > P_{mpp}

This data Sheet complies with the requirements of EN 50380.
Soluxtec reserves the right to make specification changes without prior notice (2016).
* Flasher AAA, Power tolerance measurement of +/- 3%.

V01_2016

www.soluxtec.eu