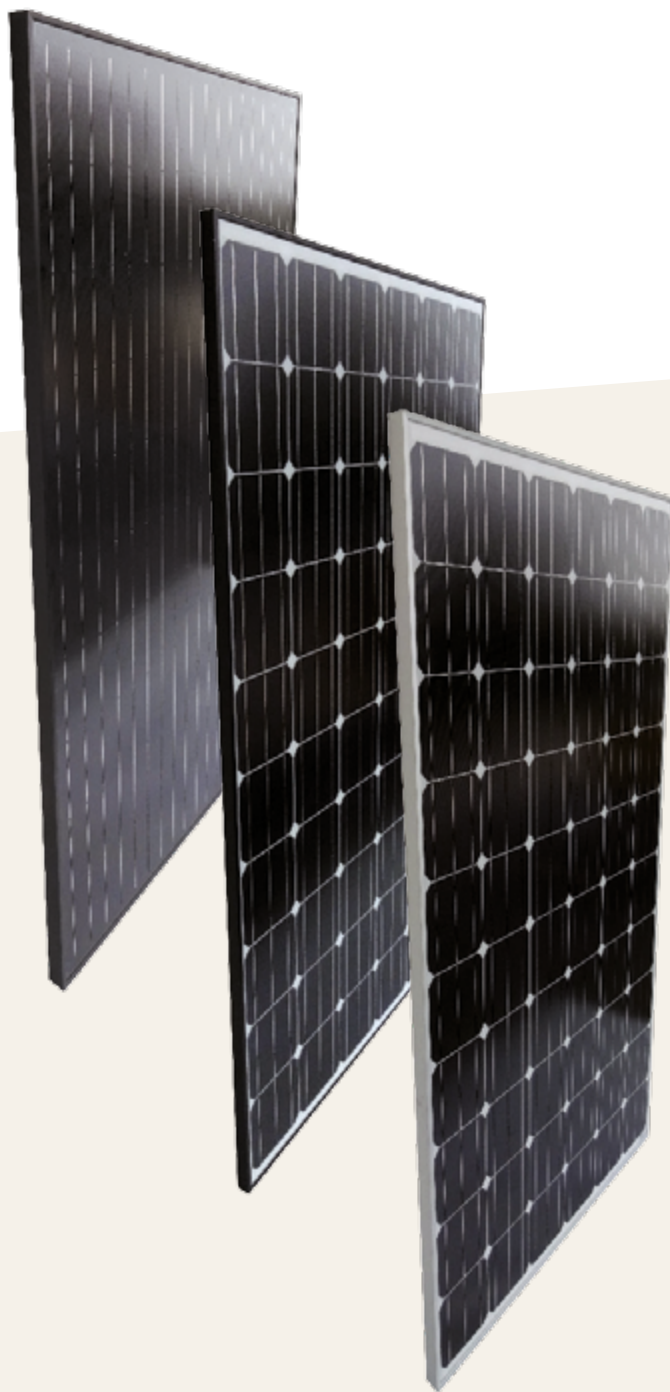




# SOLUXTEC

DIE MODUL MANUFAKTUR  
100% MADE IN GERMANY



## SOLUXTEC DAS MODUL

Mono Serie

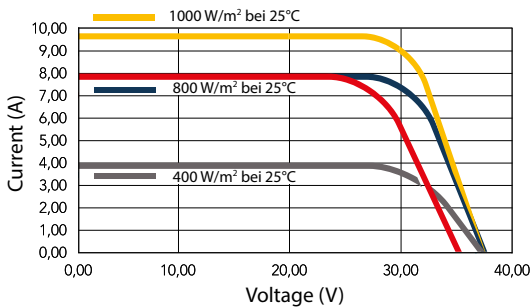
-  20 year warranty
-  Low carbon footprint
-  Extremely lightweight Design
-  100% Quality Assurance
-  Linear Performance Guarantee
-  5400 Pa max load capacity
-  Innovative Junction Box
-  Excellent thermal Properties
-  Positive performance Tolerance



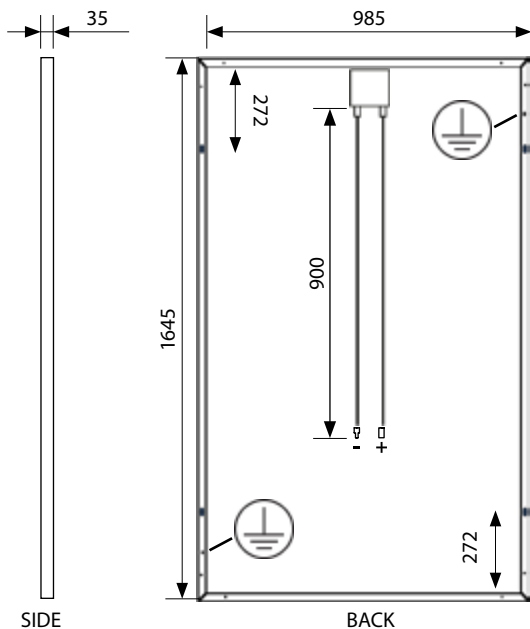
# SOLUXTEC DAS MODUL

## Mono Serie

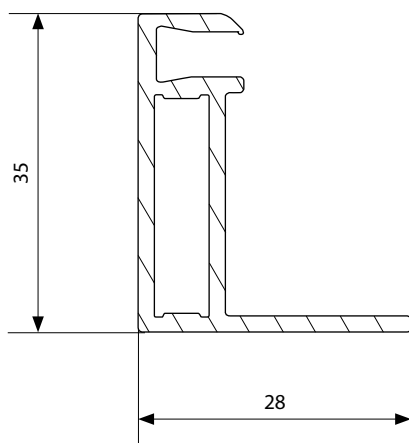
### I-V CURVES



### MODULE DIMENSIONS



### FRAME DIMENSIONS



### ELECTRICAL PERFORMANCE UNDER STANDARD TEST CONDITIONS, 1000 W/m<sup>2</sup>, AM=1.5

Maximum Power	Pmax	Wp	275	280	285	290	295	300
Open Circuit Voltage	Voc	V	38,05	38,25	38,45	38,70	39,10	39,45
Short Circuit	Isc	A	9,06	9,14	9,25	9,52	9,76	9,90
Maximum Power Point Voltage	Vmpp	V	31,80	31,85	31,90	31,95	32,05	32,15
Maximum Power Point Current	Impp	A	8,65	8,80	8,95	9,10	9,22	9,35
Efficiency	%		16,98	17,30	17,60	17,90	18,20	18,50

### ELECTRICAL PERFORMANCE UNDER NOCT, 800 W/m<sup>2</sup>, AM=1.5, T=20°C

Maximum Power	Pmax	Wp	201	205	209	213	216	220
Open Circuit Voltage	Voc	V	35,10	35,10	35,15	35,25	35,50	36,25
Short Circuit	Isc	A	7,24	7,32	7,40	7,62	7,81	7,92
Maximum Power Point Voltage	Vmpp	V	29,02	29,10	29,15	29,20	29,30	29,40
Maximum Power Point Current	Impp	A	6,93	7,05	7,20	7,30	7,40	7,50

### THERMAL CHARACTERISTICS

STC	25°
NOCT	45°
TC Isc	+0,042%/K
TC voc	-0,30%/K
TC Pmpp	-0,39%/K

### COMPONENTS

Cells Number	60
Technology	monocrystalline silicon
Cell Dimension	156 x 156 mm
Junction Box	IP 67 ventilated
Connector	MC4
Glass	tempered+patterned
Glass Thickness	3,2 mm

### GENERAL CHARACTERISTICS

Module Weight	18 kg
Color	black / white
Frame Color	black / silver
Total Thickness	35 mm

### INTEGRATION CHARACTERISTICS

Max. System Voltage	1000 Vdc
Protection Class	A
Operating Temperature Range	- 40 ... + 80
Max. Reserve Current	16 A

### CERTIFICATIONS

IEC 61215
EN 61730

### GUARANTY

Linear
80,20% after 25 years

### PRODUCT GUARANTY

20 years
----------

### POWER TOLERANCE\*

0/+3% auf Pmpp
PFlash > Pmpp

This data Sheet complies with the requirements of EN 50380.  
Soluxtec reserves the right to make specification changes without prior notice (2016).  
\* Flasher AAA, Power tolerance measurement of +/- 3%.

